

HELLA
VALUEFIT

Introducing 4 inch Tail Lamps



4 inch Tail Lamps - made to last

HELLA VALUEFIT 4 inch Tail Lights are designed exclusively to meet the requirements of customers in the free spare parts market. The products in this brand offer reliable quality at a fair market price.

It combines HELLA's decades of technological expertise with unique business skills. As a result, all the spare parts meet the relevant technical specifications and are safe and reliable and make lower cost

repairs possible. What's more, there is no need to go without important services.

The HELLA VALUEFIT brand products offer you genuine added value. Buy proven quality at a good price – a smart move!

HELLA Automotive South Africa (Pty) Ltd.
P O Box 603, Uitenhage, Eastern Cape
SOUTH AFRICA, 6230

Sales Telephone: +27 (0) 41 996 5700
Sales Telefax: +27 (0) 41 996 5720

<http://www.hella.co.za>
www.facebook.com/hellasouthafrica



HELLA VALUEFIT

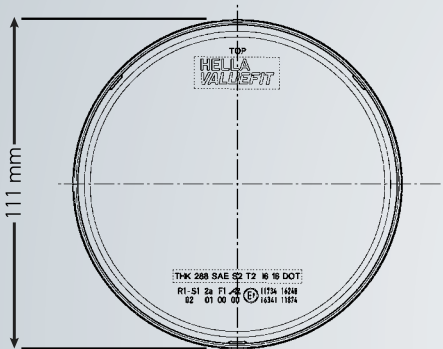
STOP TAIL LIGHT

4" LED

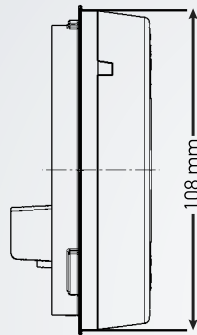


TECHNICAL SPECIFICATIONS

Type approval:	ECE/SAE
Operating voltage:	9V to 32V
Nominal voltage:	14V/28V
Current flow:	180mA
EMC approval:	ECE R10
Functions:	Stop/Tail
No. of LEDs:	Red-12
Power consumption (Watt):	2.52
Operating temperature:	+50 °C
Protection class:	IP67, IP6K9K
Connectors:	Open ended Wire Harness (ECE)
Mounting:	Through Rubber Grommet
Mounting tolerance:	116 +/- 0.05 mm
Hella specification:	HN 67101-Value Fit
Polarity Protection:	Yes
Failure detection:	No
Integrated short-circuit protection:	Yes



FRONT VIEW without mounting grommet



LEFT VIEW

2SB-328870-041

Short Code: SB3041

Stop Tail Light 4" LED

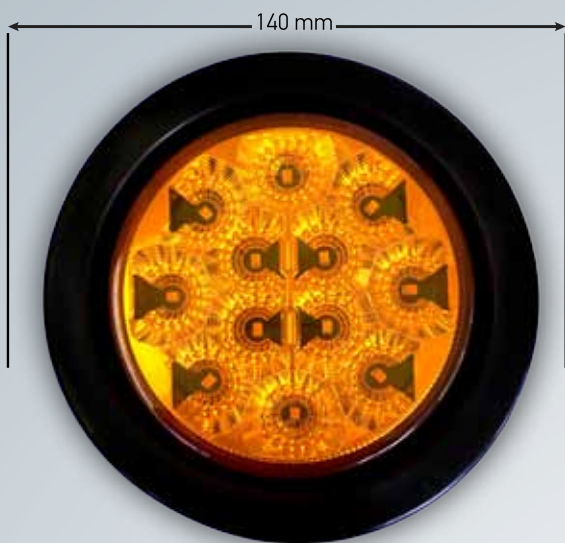


2 1723288 700476

HELLA VALUEFIT

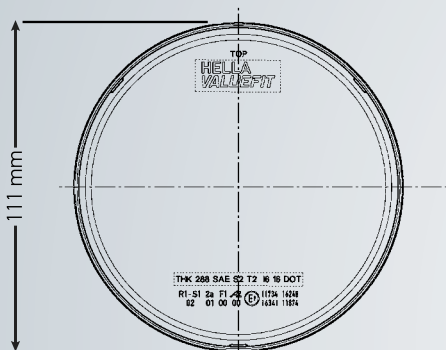
INDICATOR LIGHT

4" LED

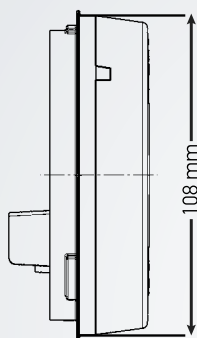


TECHNICAL SPECIFICATIONS

Type approval:	ECE/SAE
Operating voltage:	11V to 32V
Nominal voltage:	14V/28V
Current flow:	220mA
EMC approval:	ECE R10
Functions:	Rear DI
No. of LEDs:	Yellow-12
Power consumption (Watt):	3.08
Operating temperature:	+50 °C
Protection class:	IP67, IP6K9K
Connectors:	Open ended Wire Harness (ECE)
Mounting:	Through Rubber Grommet
Mounting tolerance:	116 +/- 0.05 mm
Hella specification:	HN 67101-Value Fit
Polarity Protection:	Yes
Failure detection:	Yes
Integrated short-circuit protection:	Yes



FRONT VIEW without mounting grommet



LEFT VIEW

2BA-328870-051

Short Code: BA3051

Indicator Light 4" LED

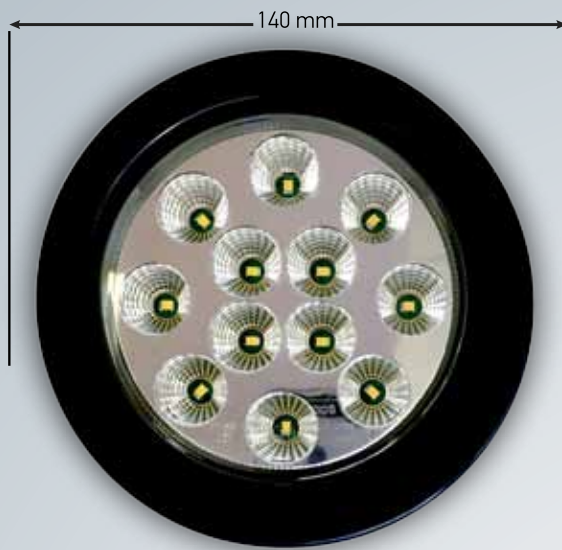


2 223288 700570

HELLA VALUEFIT

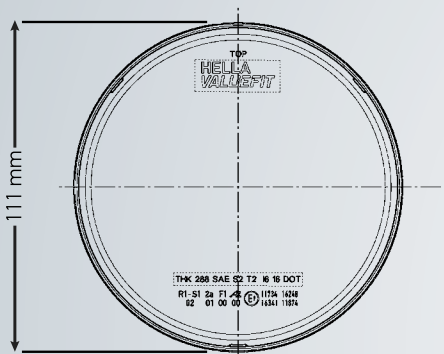
REVERSE LIGHT

4" LED

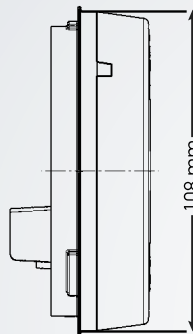


TECHNICAL SPECIFICATIONS

Type approval:	ECE/SAE
Operating voltage:	9V to 32V
Nominal voltage:	14V/28V
Current flow:	200mA @14V
EMC approval:	ECE R10
Functions:	Reverse
No. of LEDs:	White-12
Power consumption (Watt):	2.8
Operating temperature:	+50 °C
Protection class:	IP67, IP6K9K
Connectors:	Open ended Wire Harness (ECE)
Mounting:	Through Rubber Grommet
Mounting tolerance:	116 +/- 0.05 mm
Hella specification:	HN 67101-Value Fit
Polarity Protection:	Yes
Failure detection:	No
Integrated short-circuit protection:	Yes



FRONT VIEW without mounting grommet



LEFT VIEW

2ZR-328870-061

Short Code: ZR3061

Reverse Light 4" LED



2 973 288 700 673

**HELLA
VALUEFIT**

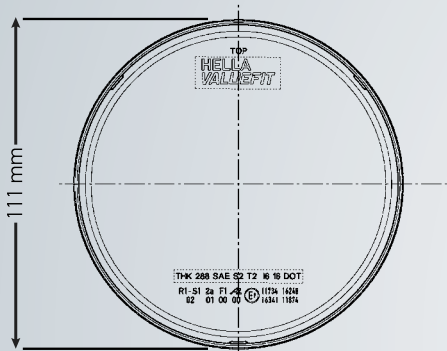
STOP TAIL INDICATOR LIGHT

4" LED

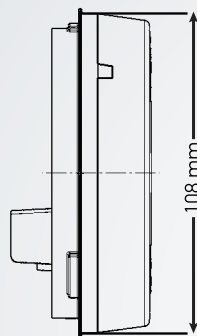


TECHNICAL SPECIFICATIONS

Type approval:	ECE
Operating voltage:	"Stop/Tail: 9V to 32V DI: 11V to 32V"
Nominal voltage:	14V/28V
Current flow:	"DI: 110mA @14V Stop/Tail: 200mA @14V"
EMC approval:	ECE R10
Functions:	Stop/Tail/DI
No. of LEDs:	Red- 10 ; Yellow- 6
Power consumption (Watt):	4.34
Operating temperature:	+50 °C
Protection class:	IP67, IP6K9K
Connectors:	Open ended Wire Harness
Mounting:	Through Rubber Grommet
Mounting tolerance:	116 +/- 0.05 mm
Hella specification:	HN 67101-Value Fit
Polarity Protection:	Yes
Failure detection:	"Stop/Tail: No DI: Yes"
Integrated short-circuit protection:	Yes



FRONT VIEW without mounting grommet

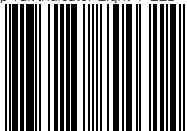


LEFT VIEW

2SD-328870-031

Short Code:SD3031

Stop Tail Indicator Light 4" LED



2 733288 700314

HELLA VALUEFIT

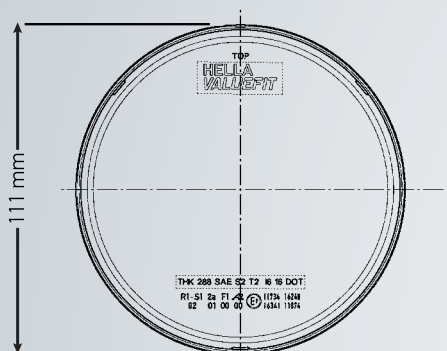
REAR FOG LIGHT

4" LED

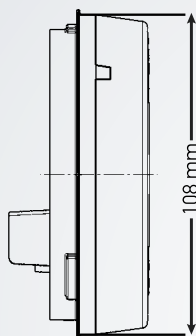


TECHNICAL SPECIFICATIONS

Type approval:	ECE
Operating voltage:	9V to 32V
Nominal voltage:	14V/28V
Current flow:	270mA @14V
EMC approval:	ECE R10
Functions:	Rear Fog
No. of LEDs:	Red- 16
Power consumption (Watt):	3.78
Operating temperature:	+50 °C
Protection class:	IP67, IP6K9K
Connectors:	Open ended Wire Harness
Mounting:	Through Rubber Grommet
Mounting tolerance:	116 +/- 0.05 mm
Hella specification:	HN 67101-Value Fit
Polarity Protection:	Yes
Failure detection:	No
Integrated short-circuit protection:	Yes



FRONT VIEW without mounting grommet



LEFT VIEW

2NE-328870-071

Short Code: NE3071

Rear Fog Light 4" LED



2 633288 700775